





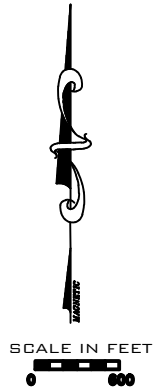




CITY OF VERNON STREET TREES MASTER PLAN (STMP)

-  HONG KONG ORCHID TREE (BAUHINIA BLAKEANA)
-  ORNAMENTAL EVERGREEN PEAR (CULTIVAR VARIETY) (PYRUS CALLERYANA)
-  CRAPE MYRTLE (LAGERSTROEMIA INDICA)
-  AUSTRALIAN WILLOW (GEIJERA PARAVIFOLIA)
-  WATER GUM (TRISTANIA LAURINA)
-  PURPLE ORCHID TREE (BAUHINIA PURPUREA)
-  BRISBANE BOX (TRISTANIA CONFERTA)



TREES

B. STREET TREE SPECIFICATIONS



HONG KONG ORCHID TREE (BAUHINIA BLAKEANA)

Detailed Plant Information

- **Plant Type:** Tree
- **Height:** 25-50 feet
- **Spread:** 15-25 feet
- **Light Exposure:** Partial Sun to Full Sun
- **Bloom Color:** Purple, Red
- **Bloom Time:** Early Winter, Late Winter, Mid Winter
- **Leaf Color:** Green
- **Soil Condition:** Acidic, Clay, Loamy, Neutral, Sandy, Slightly Alkaline, Well Drained
- **Landscape Uses:** Specimen, Street Tree
- **Special Features:** Pest Tolerant, Drought Tolerant



ORNAMENTAL EVERGREEN PEAR (PYRUS CALLERYANA)

Detailed Plant Information

- **Plant Type:** Deciduous Tree
- **Height:** 30-35 feet
- **Spread:** 12-15 feet
- **Light Exposure:** Full Sun
- **Bloom Color:** White flowers
- **Bloom Time:** Early Spring
- **Leaf Color:** Dark green leaves turn hues of reddish –purple in the fall
- **Soil Condition:** Well drained loamy soils with consistent moisture
- **Landscape Uses:** Street Tree
- **Special Features:** Urban Tolerant, Fragrant, Great Fall Color



CRAPE MYRTLE (*LAGERSTROEMIA INDICA*)

Detailed Plant Information

- **Plant Type:** Tree
- **Height:** 6-25 feet
- **Spread:** 15-25 feet
- **Light Exposure:** Full Sun
- **Bloom Color:** Pink, Purple, Red, White
- **Bloom Time:** Early Summer, Early Fall, Late Summer, Late Spring, Mid Summer
- **Leaf Color:** Green
- **Soil Condition:** Acidic, Clay, Loamy, Neutral, Sandy, Slightly Alkaline, Well Drained
- **Landscape Uses:** Border, Container, Massing, Specimen, Street Tree
- **Special Features:** Drought Tolerant, Good for Containers



AUSTRALIAN WILLOW (GEIJERA PARAVIFOLIA)

Detailed Plant Information

- **Plant Type:** Tree
- **Height:** 25-50 feet
- **Spread:** 15-25 feet
- **Light Exposure:** Full Sun
- **Bloom Color:** White
- **Bloom Time:** Early Fall, Early Spring, Late Fall, Late Spring, Mid Fall, Mid Spring
- **Leaf Color:** Green
- **Soil Condition:** Acidic, Clay, Loamy, Neutral, Sandy, Slightly Alkaline, Well Drained
- **Landscape Uses:** Screen, Specimen, Street Tree
- **Special Features:** Pest Tolerant, Good for Screen, Drought Tolerant



WATER GUM (TRISTANIA LAURINA)

Detailed Plant Information

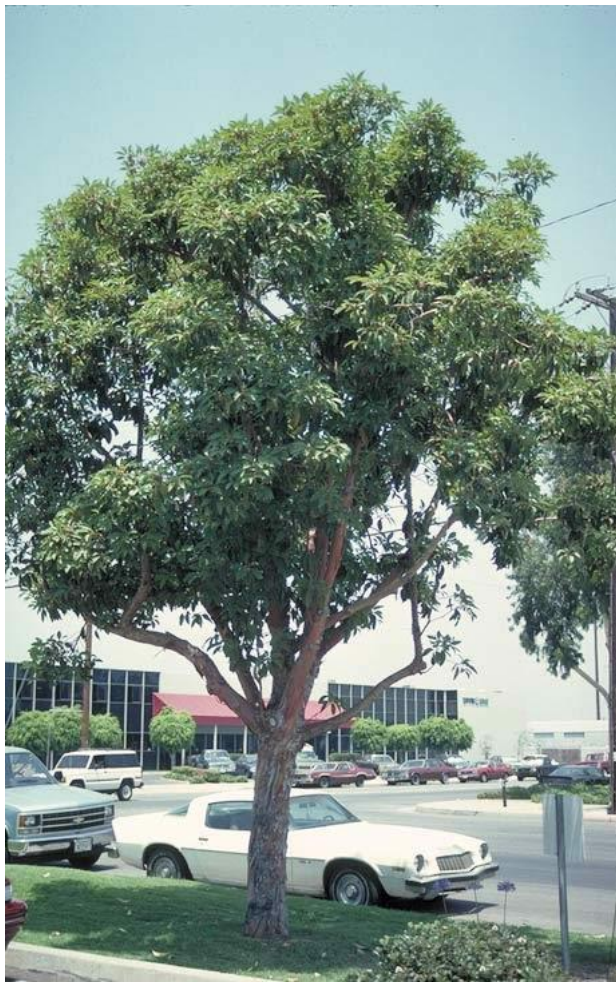
- **Plant Type:** Tree
- **Height:** 30-40 feet
- **Spread:** variable
- **Light Exposure:** Partial Shade to Deep Shade
- **Bloom Color:** Yellow
- **Bloom Time:** Spring
- **Leaf Color:** Green
- **Soil Condition:** Well Drained to Poorly Drained Soils
- **Landscape Uses:** Street Tree
- **Special Features:** Drought Tolerant



PURPLE ORCHID TREE (BAUHINIA PURPUREA)

Detailed Plant Information

- **Plant Type:** Tree
- **Height:** 20 feet
- **Spread:** 25 feet
- **Light Exposure:** Full Sun
- **Bloom Color:** Purple
- **Bloom Time:** Summer to Winter
- **Leaf Color:** Green
- **Soil Condition:** Loam or Sand
- **Landscape Uses:** Seacost Exposure, Street Tree
- **Special Features:** Attracts Birds, Attracts Hummingbirds

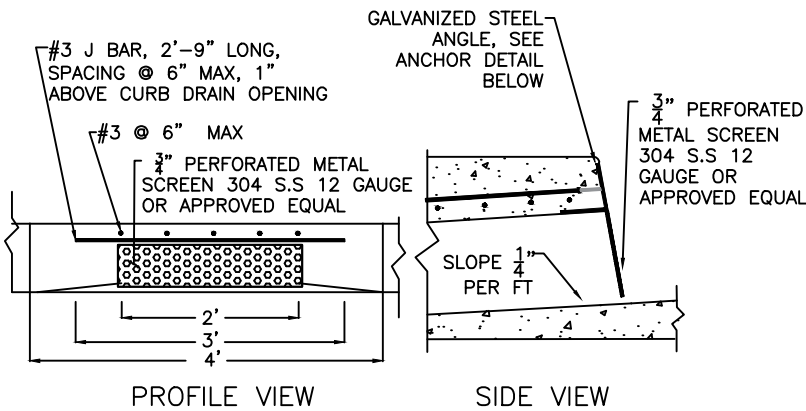
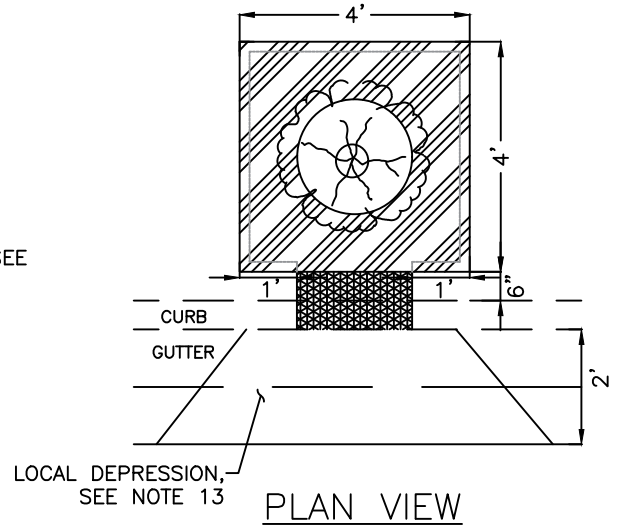
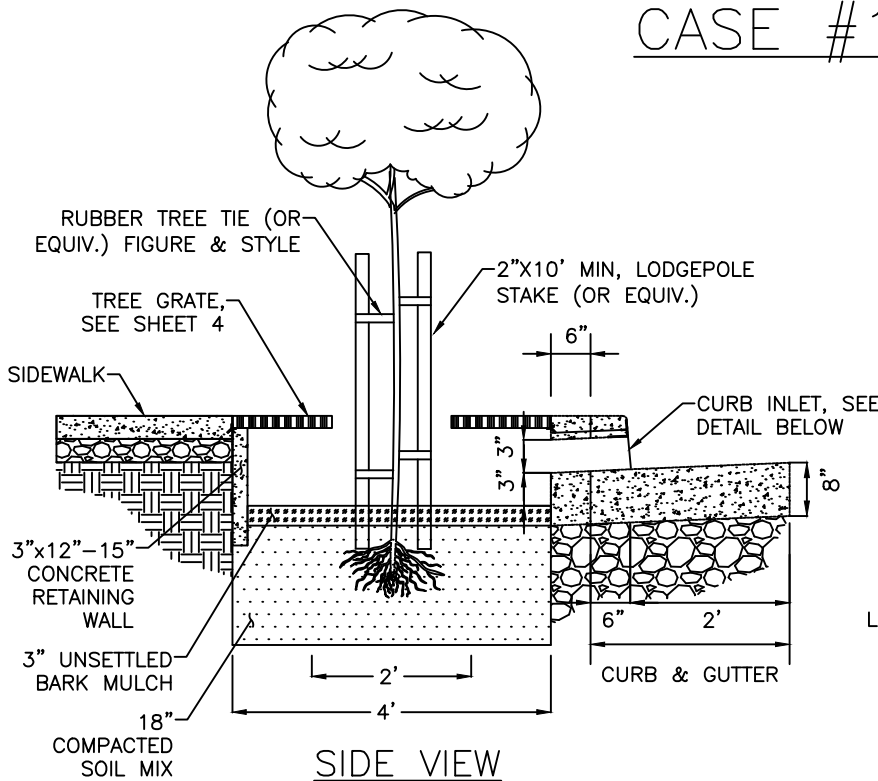


BRISBANE BOX (TRISTANIA CONFERTA)

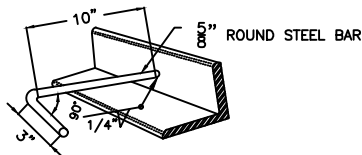
Detailed Plant Information

- **Plant Type:** Tree
- **Height:** 25-50 feet
- **Spread:** 25-50 feet
- **Light Exposure:** Full Sun to Partial Shade
- **Bloom Color:** Showy White
- **Bloom Time:** Spring
- **Leaf Color:** Green
- **Soil Condition:** Clay, Loam or Sand
- **Landscape Uses:** Street Tree
- **Special Features:** Susceptible to Scales, Phytophthora and Root Rot

CASE #1



CURB INLET DETAIL



DETAIL OF ANCHOR

(SEE NOTES 11 & 12)

NOTES:

1. TREE TYPE SHALL BE APPROVED BY CITY ENGINEER.
2. TREE SHALL BE IN 24" X 24" BOX AND HAVE MINIMUM DIMENSIONS OF 8 FT HIGH, 3 FT WIDE AT THE HEAD AND A TRUNK OF 2 INCHES.
3. TREE SPACING 25' OR PER CITY ENGINEERS DIRECTION.
4. PLANT 25' MIN. FROM B.C.R. AT INTERSECTIONS.
5. PLANT 25' MIN. FROM EDGE OF DRIVE APPROACH.
6. PLANT 10' MIN. FROM UTILITY AND SEWER LINES.
7. PLANT 21' MIN. FROM STREET LIGHT STANDARDS.
8. PLANT 15' MIN. FROM POWER POLES.
9. PLANT 10' MIN. FROM FIRE. HYDRANTS.
10. ONE YEAR WARRANTY FOR LOSS OR DAMAGE REQUIRED.
11. THE HEADED STEEL STUD $\frac{5}{8}$ " X $6 \frac{3}{8}$ " WITH HEAD D=1" ATTACHED BY A FULL PENETRATION BUTT WELD MAY BE USED AS AN ALTERNATE ANCHOR.
12. THE 3" LEG OF THE INTERIOR ANCHORS SHALL BE PARALLEL TO THE TOP OF THE SIDEWALK.
13. LOCAL DEPRESSION SHALL BE 2 $\frac{1}{2}$ " FOR AN EXISTING 6" CF OR $\frac{1}{2}$ " FOR AN EXISTING 8" CF.

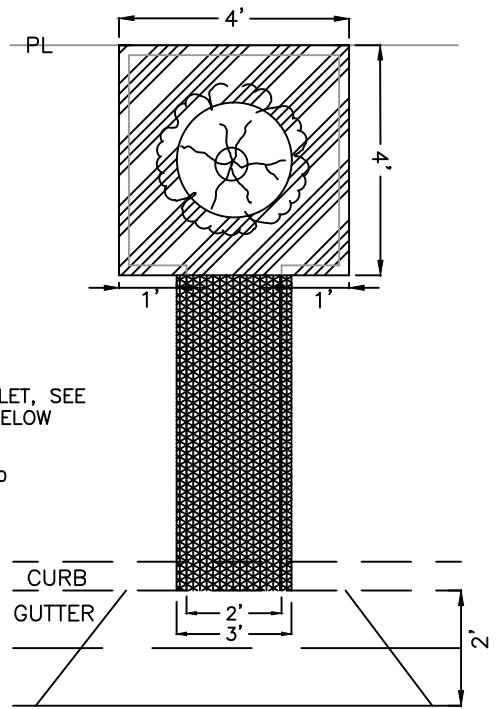
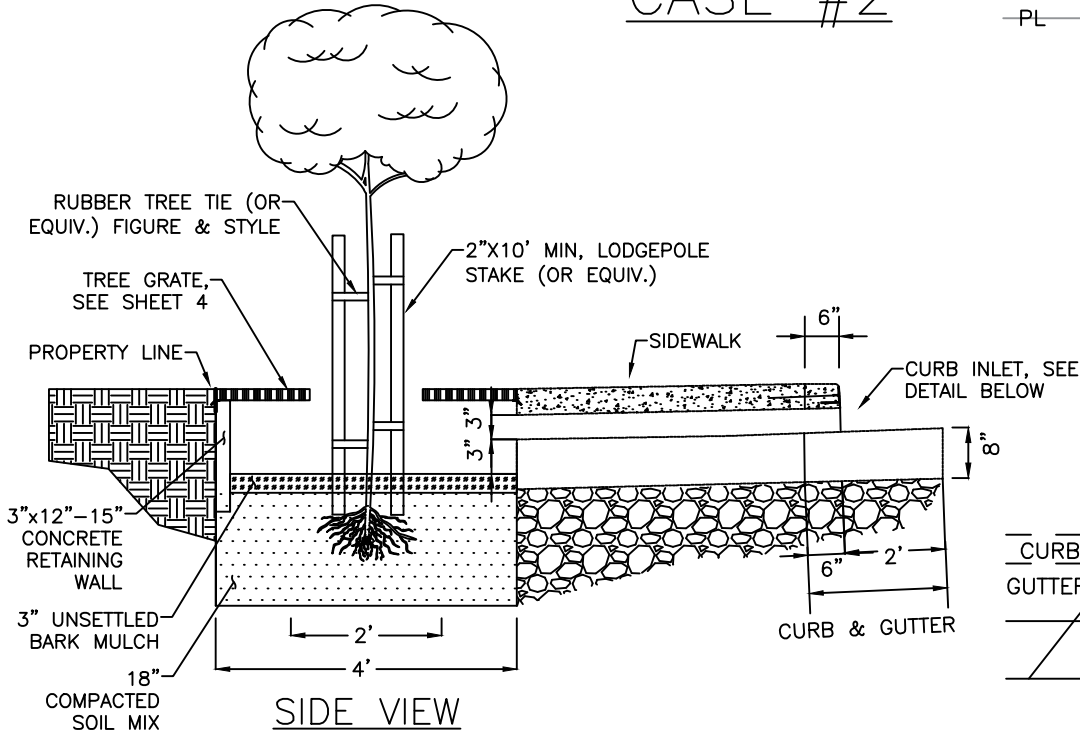
REVISIONS		
DATE	DESCRIPTION	INITIALS
9/17/18	REDESIGNED	MB
11/28/18	UPDATED	MB
2/16/22	UPDATED	AE
05/10/22	UPDATED	MB
6/23/22	UPDATED	MB
6/26/23	UPDATED	CV

STANDARD TREE PLANTING

CITY OF VERNON, PUBLIC WORKS DEPARTMENT
FEBRUARY 2024

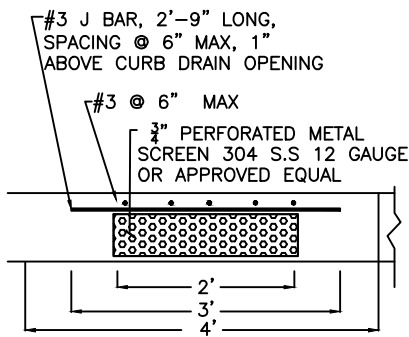
STANDARD PLAN
MV 1891
1 OF 4

CASE #2

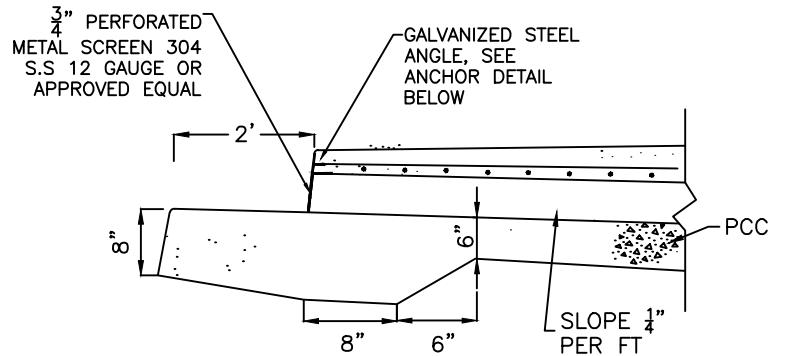


SIDE VIEW

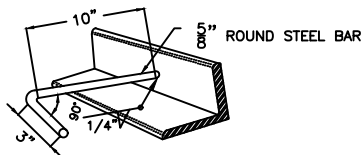
PLAN VIEW



PROFILE VIEW



CURB INLET DETAIL



DETAIL OF ANCHOR

(SEE NOTES 11 & 12 ON SHEET 1 OF 4)

REVISIONS		
DATE	DESCRIPTION	INITIALS
9/17/18	REDESIGNED	MB
11/28/18	UPDATED	MB
2/16/22	UPDATED	AE
05/10/22	UPDATED	MB
6/23/22	UPDATED	MB
6/26/23	UPDATED	CV

STANDARD TREE PLANTING

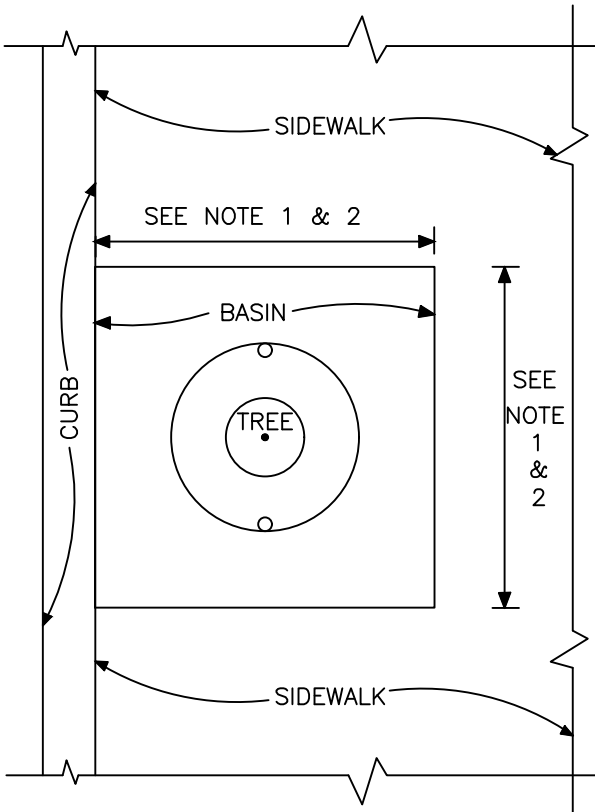
CITY OF VERNON, PUBLIC WORKS DEPARTMENT
FEBRUARY 2024

STANDARD PLAN

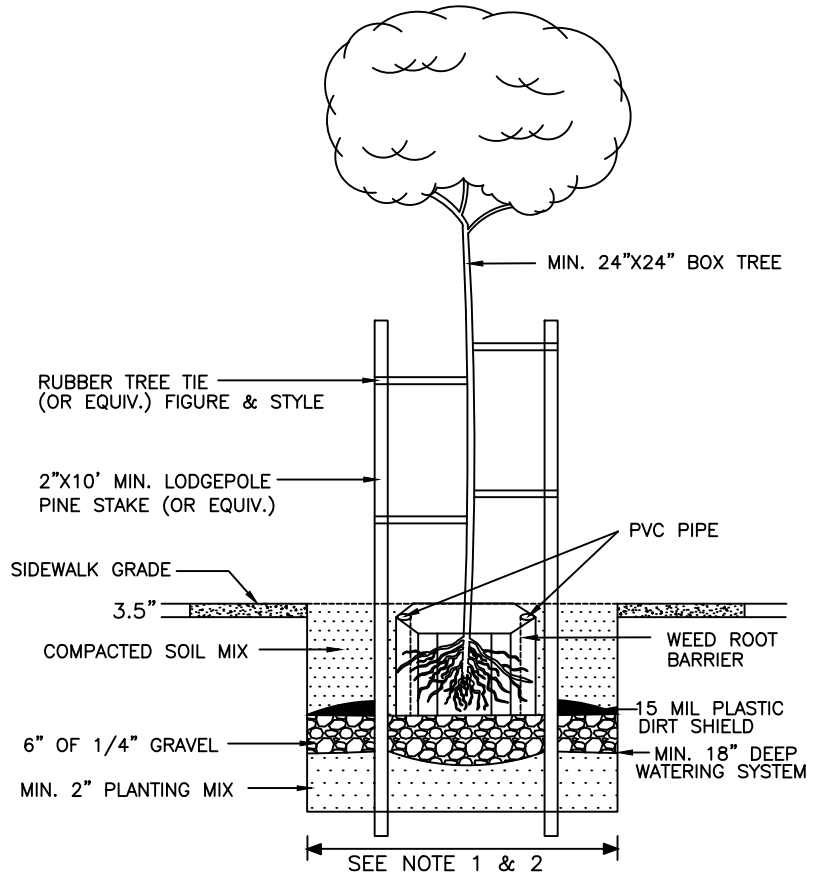
MV 1891

2 OF 4

CASE #3



PLAN VIEW



SIDE VIEW

NOTES:

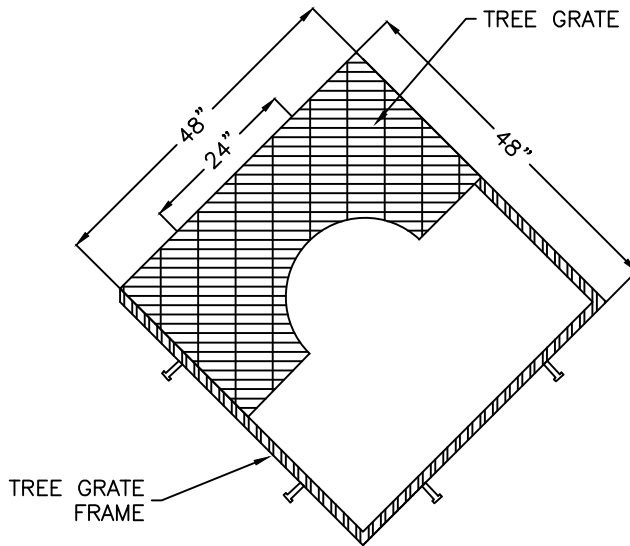
1. IF SIDEWALK IS GREATER THAN 8' TREE BASIN OPENING SHALL BE 4'X4'.
2. IF SIDEWALK IS LESS THAN 8' TREE BASIN OPENING SHALL BE 3'X3'.

REVISIONS		
DATE	DESCRIPTION	INITIALS
10/6/03	3'X3' TREE WELL/UPDATED	LM
03/14/06	24"X24" BOX TREE AND TRUNK 2" MIN.	PC
05/30/18	UPDATED	MA
02/27/24	UPDATED	GG

STANDARD TREE PLANTING

CITY OF VERNON, PUBLIC WORKS DEPARTMENT
FEBRUARY 2024

STANDARD PLAN
MV 1891
3 OF 4



TREE GRATE INSTALLATION DETAIL

INSTALLATION PROCEDURE:

1. PLACE WOOD FRAME WITHIN EXCAVATION.
2. FRAME SHALL BE ASSEMBLED PER MANUFACTURER'S INSTRUCTIONS. COUNTERSUNK FLATHEAD SCREWS MUST BE VANDAL RESISTANT AND SHALL BE TIGHTENED SO THEY ARE FLUSH OR BELOW THE BEARING SURFACE OF THE FRAME. .
3. INSTALL #3 REBAR THROUGH LUGS ON FRAME AND SUPPORT AS REQUIRED.

NOTES:

1. TREE WELL SHALL HAVE THE SAME SLOPE AS SURROUNDING SIDEWALK.
2. TREE GRATE SHALL BE RELIANCE FOUNDRY R-8708 FOR A 48"X48" TREE WELL OR APPROVED EQUAL.
3. OPENINGS IN TREE GRATE SHALL BE ADA COMPLIANT.

REVISIONS		
DATE	DESCRIPTION	INITIALS
9/17/18	REDESIGNED	MB
11/28/18	UPDATED	MB
2/16/22	UPDATED	AE
6/23/22	UPDATED	MB
6/14/23	UPDATED	CV

**STANDARD TREE
PLANTING**

CITY OF VERNON, PUBLIC WORKS DEPARTMENT
FEBRUARY 2024

STANDARD PLAN
MV 1891
4 OF 4