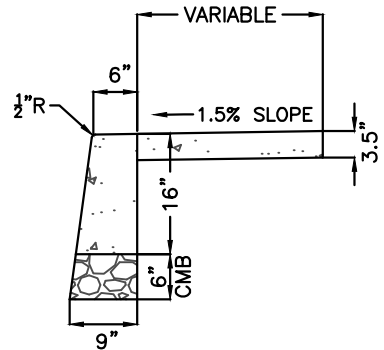
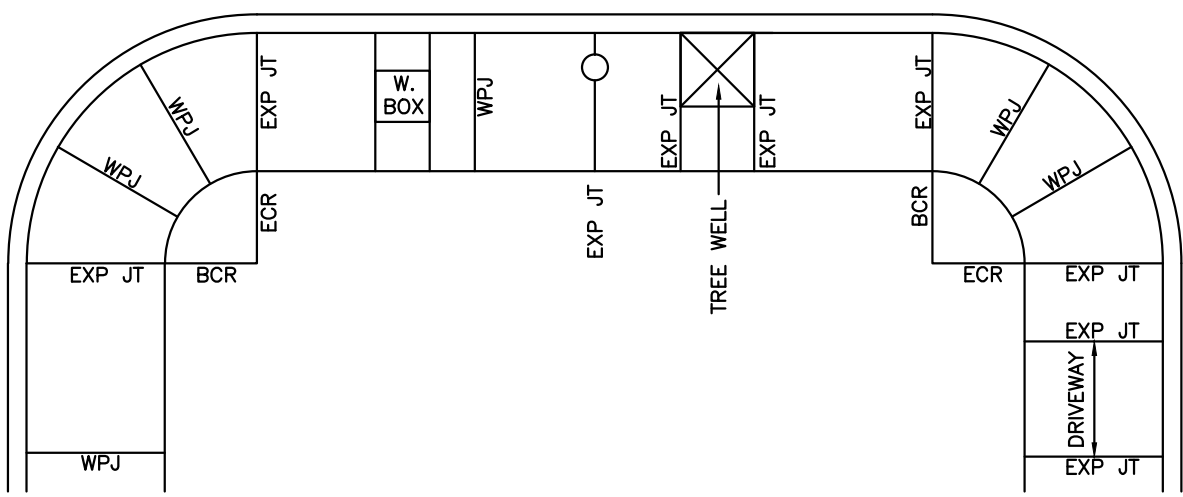


REMOVE IF NECESSARY  
SEE NOTE 8.

CURB AND GUTTER



CURB



NOTES:

1. WEAKENED PLANE JOINTS SHALL BE USED AT REGULAR INTERVALS 10 FEET IN WALKS AND 20 FEET IN CURB AND GUTTERS.
2. 1/4" EXPANSION JOINT FELT SHALL BE PLACED AT 60' INTERVALS IN CURB, GUTTER AND WALK, AT THE BCR AND ECR, AT DRIVEWAYS, AT TREE WELLS, AND AROUND UTILITY POLES IN SIDEWALK AREAS. SIDEWALK AND CURB JOINTS SHALL BE ALIGNED.
3. ALL CONCRETE WORK SHALL BE ONE COURSE. NO TOPPING PERMITTED.
4. MATCH JOINT LINES WHEN REPLACING EXISTING SIDEWALK.
5. CURB FACE SHALL BE A STEEL TROWEL AND FINE HAIR BROOM FINISH.
6. FLOWLINE OF THE GUTTER SHALL HAVE A 4" SHINER.
7. ALL GUTTERS SHALL BE 2' UNLESS APPROVED BY CITY ENGINEER.
8. REMOVE A 2' WIDE BY 14" SECTION OF PAVEMENT ALONG THE EDGE OF THE EXISTING GUTTER. RE-COMPACT BASE OR SUB-GRADE AND CONSTRUCT 8" AC OVER 6" CMB, ASPHALT SHALL BE FLUSH WITH GUTTER.

REVISIONS		
DATE	DESCRIPTION	INITIALS
5/30/18	CREATED	MA
7/26/18	UPDATED	MB

**STANDARD SIDEWALK,  
CURB, AND GUTTER**  
CITY OF VERNON, PUBLIC WORKS DEPARTMENT  
JULY 2018

STANDARD PLAN  
**PV 582**  
1 OF 1