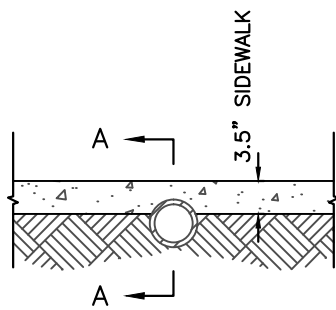
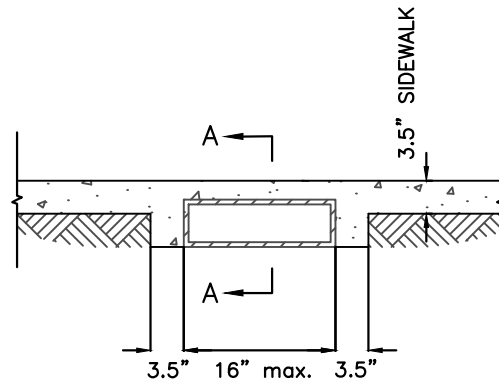


SECTION A-A
TYPICAL - TYPE 1 & 2



SECTION B-B
TYPE 1



SECTION B-B
TYPE 2

NOTES:

1. MATERIALS FOR TYPE 1 DRAINS SHALL BE STEEL, CAST IRON OR P.V.C.
MATERIALS FOR TYPE 2 DRAINS SHALL BE STEEL OR CAST IRON ONLY.
2. REFERENCE IS MADE TO STANDARD PLAN PV 582 - STANDARD SIDEWALK, CURB, AND GUTTER.

REVISIONS		
DATE	DESCRIPTION	INITIALS
5/30/18	CREATED	MA
7/26/18	UPDATED	MB

CURB DRAINS
CITY OF VERNON, PUBLIC WORKS DEPARTMENT
JULY 2018

STANDARD PLAN
DV 1888
1 OF 1